

Marine Genset- CCFJ16J-W5

Gen-Set Specifications

GenSet Model	CCFJ16J-W5	
Power Factor	0.8-3 phase	
Frequency	Voltage	Prime
50Hz	400V	16kW
60Hz	/	/



Standard Features

◆ Electronic governor	◆ DC12V Electric starter	◆ Dual-circulate water-cooled
◆ IP23	◆ H type insulation	◆ Alternator anti-condensation
◆ Instrument	◆ anti-explosion high pressure pipe	◆ CCS certification
◆ Spare Parts	◆ Documents	◆ Packaging: plywood

Options

◇ Remote Control Panel	◇ Electric potentiometer	◇ Alternator winding temperature alarm
◇ Engine Heater (water & oil heater)		

Engine Specifications

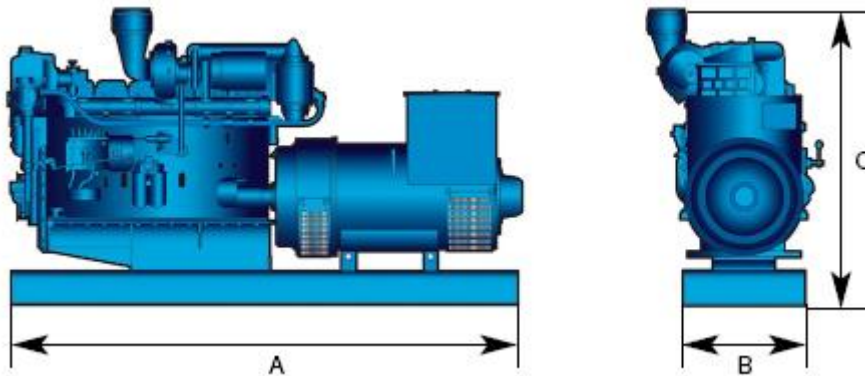
Engine Make & Model	Weichai WP2.3CD25E200 (50HZ)	/
Rated Speed	1500 rpm	/
Prime Power	23 kW	/
Bore & Stroke	85x92 mm	
Displacement	2.3	
Cylinder Number	4	
Fuel System	Mechanical Pump	
Governor Method	Electronic	
Aspiration	Natural Aspiration	
Starting Method	12V electric starter and battery charging alternator	

Alternator Specifications

Alternator Make	CSIEM	
Alternator Model	1FC2 183-4	/
Bearing Nos	1	
Insulation Class	H	
Steady-State Volt Adjustable Rate	±2.5%	
IP class	IP23	
Winding Way	6	
Excitation Mod	Brushless	
Rated Power Factor	0.8	

Dimensions

	Length	Width	Height	Weight
CCFJ16J-W5	1426 mm	757mm	1234 mm	732 kg



Sales Promises

Weichai Power provides a full line of brand new and high quality products. Each and every unit is strictly factory tested.

Warranty time: 1 year

Service and parts are available from Weichai Power or distributors in your location.

Distributed By:

Manufacturer: Weichai Power Co., Ltd
Address: 197 A, Fushou East Street, High-Tech
Development Zone, Weifang, China
www.weichai.com

