

Marine Genset- CCFJ180J-WY

Gen-Set Specifications

| | | |
|---------------------|----------------|--------------|
| GenSet Model | CCFJ180J-WY | |
| Power Factor | 0.8-3 phase | |
| Frequency | Voltage | Prime |
| 50Hz | 400V | 180kW |
| 60Hz | 440V | 180kW |



Standard Features

| | | |
|----------------------------------|--------------------------------|-------------------------------|
| ◆ Mechanical/Electronic governor | ◆ DC24V Electric starter | ◆ Dual-circulate water-cooled |
| ◆ IP23 | ◆ H type insulation | ◆ Shutoff electronic solenoid |
| ◆ Instrument | ◆ Common high pressure pipe | ◆ CCS certification |
| ◆ Spare Parts & Tools | ◆ Documents | ◆ Packaging: plywood |
| ◆ Paralleling function | ◆ Alternator anti-condensation | |

Options

| | | |
|--------------------------------------|--------------------------|--|
| ◇ Remote Control Panel | ◇ Electric potentiometer | ◇ Alternator winding temperature alarm |
| ◇ Engine Heater (water & oil heater) | | |

Engine Specifications

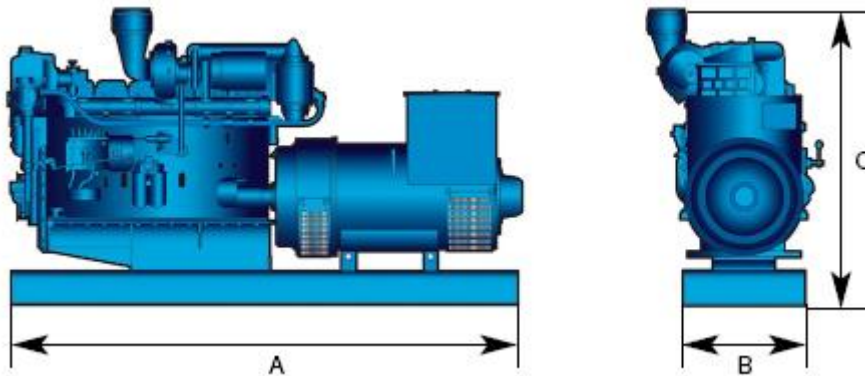
| Engine Make & Model | Weichai WP10CD238E200 | WP10CD238E201 |
|--------------------------------|--|----------------------|
| | (50HZ) | (60HZ) |
| Rated Speed | 1500 rpm | 1800rpm |
| Prime Power | 216 kW | |
| Bore & Stroke | 126x130 mm | |
| Displacement | 9.726 | |
| Cylinder Number | 6 | |
| Fuel System | Mechanical Pump | |
| Governor Method | Mechanic | |
| Aspiration | Turbocharged and Aftercooled | |
| Starting Method | 24V electric starter and battery charging alternator | |

Alternator Specifications

| Alternator Make | CSIEM | |
|-----------------------------------|------------|------------|
| Alternator Model | 1FC2 284-4 | 1FC2 283-4 |
| Bearing Nos | 1 | |
| Insulation Class | H | |
| Steady-State Volt Adjustable Rate | 0~2.5% | |
| IP class | IP23 | |
| Winding Way | 6 | |
| Excitation Mod | Brushless | |
| Rated Power Factor | 0.8 | |

Dimensions

| | Length | Width | Height | Weight |
|-------------|---------|---------|---------|---------|
| CCFJ180J-WY | 2542 mm | 1082 mm | 1572 mm | 2059 kg |



Sales Promises

Weichai Power provides a full line of brand new and high quality products. Each and every unit is strictly factory tested.

Warranty time: 1 year

Service and parts are available from Weichai Power or distributors in your location.

Distributed By:

Manufacturer: Weichai Power Co., Ltd
Address: 197 A, Fushou East Street, High-Tech
Development Zone, Weifang, China
www.weichai.com

