

## Marine Genset- CCFJ30J-W5

### Gen-Set Specifications

<b>GenSet Model</b>	CCFJ30J-W5	
<b>Power Factor</b>	0.8-3 phase	
<b>Frequency</b>	<b>Voltage</b>	<b>Prime</b>
50Hz	400V	30kW
60Hz	440V	30kW



### Standard Features

◆ Electronic governor	◆ DC12V Electric starter	◆ Dual-circulate water-cooled
◆ IP23	◆ H type insulation	◆ Alternator anti-condensation
◆ Instrument	◆ anti-explosion high pressure pipe	◆ CCS certification
◆ Spare Parts	◆ Documents	◆ Packaging: plywood

### Options

◇ Remote Control Panel	◇ Electric potentiometer	◇ Alternator winding temperature alarm
◇ Engine Heater (water & oil heater)		

### Engine Specifications

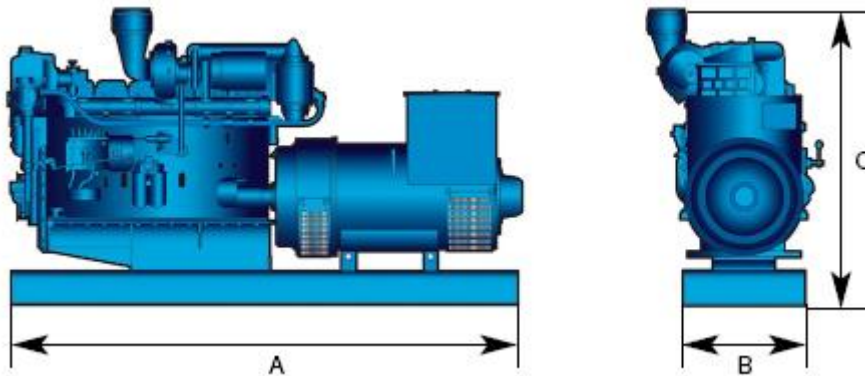
Engine Make & Model	Weichai	Weichai
	WP2.3CD40E200 (50HZ)	WP2.3CD40E201 (60HZ)
Rated Speed	1500 rpm	1800rpm
Prime Power	36 kW	36 kW
Bore & Stroke	85x92 mm	
Displacement	2.3	
Cylinder Number	4	
Fuel System	Mechanical Pump	
Governor Method	Electronic	
Aspiration	Turbocharged	
Starting Method	12V electric starter and battery charging alternator	

## Alternator Specifications

Alternator Make	CSIEM	
Alternator Model	1FC2 186-4	1FC2 185-4
Bearing Nos	1	
Insulation Class	H	
Steady-State Volt Adjustable Rate	±2.5%	
IP class	IP23	
Winding Way	6	
Excitation Mod	Brushless	
Rated Power Factor	0.8	

## Dimensions

	Length	Width	Height	Weight
CCFJ30J-W5	1426 mm	757mm	1234 mm	732 kg



## Sales Promises

Weichai Power provides a full line of brand new and high quality products. Each and every unit is strictly factory tested.

Warranty time: 1 year

Service and parts are available from Weichai Power or distributors in your location.

Distributed By:

Manufacturer: Weichai Power Co., Ltd  
 Address: 197 A, Fushou East Street, High-Tech  
 Development Zone, Weifang, China  
[www.weichai.com](http://www.weichai.com)

