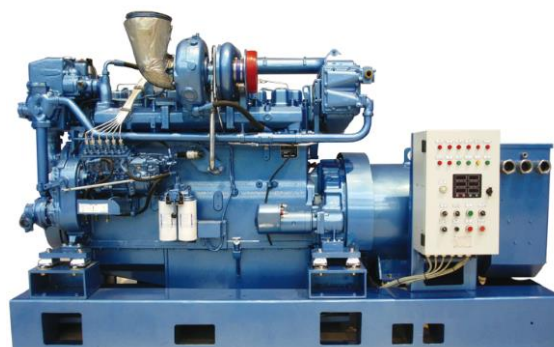


Marine Genset- CCFJ400J-WP

Gen-Set Specifications

GenSet Model	CCFJ400J-WP	
Power Factor	0.8-3 phase	
Frequency	Voltage	Prime
50Hz	400V	400kW
60Hz	440V	400kW



Standard Features

◆ Electronic governor	◆ DC24V Electric starter	◆ Dual-circulate water-cooled
◆ IP23	◆ H type insulation	◆ Shutoff electronic solenoid
◆ Anti-explosion high pressure pipe	◆ Side instrument	◆ CCS certification
◆ Spare Parts	◆ Documents	◆ Packaging: wooden packing case

Options

◇ Remote Control Panel	◇ Paralleling function	◇ Alternator anti-condensation
◇ Engine Heater (water & oil heater)	◇ Alternator winding temperature alarm	

Engine Specifications

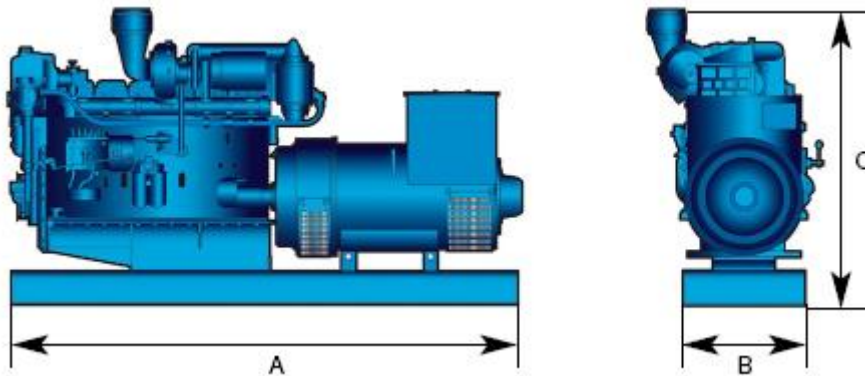
Engine Make & Model	Weichai 6M33CD484E200	6M33CD484E201
	(50HZ)	(60HZ)
Rated Speed	1500	1800
Prime Power	440	440
Bore & Stroke	150x185mm	
Displacement	19.6	
Cylinder Number	6	
Fuel System	Mechanical Pump	
Governor Method	Electronic	
Aspiration	Turbocharged and Aftercooled	
Starting Method	24V electric starter and battery charging alternator	

Alternator Specifications

Alternator Make	CSIEM	
Alternator Model	1FC2 355-4	1FC2 353-4
Bearing Nos	1	
Insulation Class	H	
Steady-State Volt Adjustable Rate	≤±2.5%	
IP class	IP23	
Winding Way	6	
Excitation Mod	Brushless	
Rated Power Factor	0.8	

Dimensions

	Length	Width	Height	Weight
CCFJ400J-WP	3250mm	1450mm	1695 mm	5500kg



Sales Promises

Weichai Power provides a full line of brand new and high quality products. Each and every unit is strictly factory tested.

Warranty time: 1 year

Service and parts are available from Weichai Power or distributors in your location.

Distributed By:

Manufacturer: Weichai Power Co., Ltd
Address: 197 A, Fushou East Street, High-Tech
Development Zone, Weifang, China
www.weichai.com

