

Marine Genset- CCFJ400J-WX

Gen-Set Specifications

Genset Model	CCFJ400J-WX	
Power Factor	0.8-3 phase	
Frequency	Voltage	Prime
50Hz	400V	400kW
60Hz	/	/



Standard Features

- ◆ Mechanical governor
- ◆ DC24V Electric starter
- ◆ Dual-circulate water-cooled
- ◆ IP23
- ◆ H type insulation
- ◆ Shutoff electronic solenoid
- ◆ Instrument
- ◆ Common high pressure pipe
- ◆ CCS certification
- ◆ Spare Parts & Tools
- ◆ Documents
- ◆ Packaging: wooden packing case
- ◇ Paralleling function

Options

- ◇ Remote Display Panel
- ◇ Remote Control Panel
- ◇ Engine Heater (water & oil heater)
- ◇ Alternator anti-condensation
- ◇ Alternator winding temperature alarm

Engine Specifications

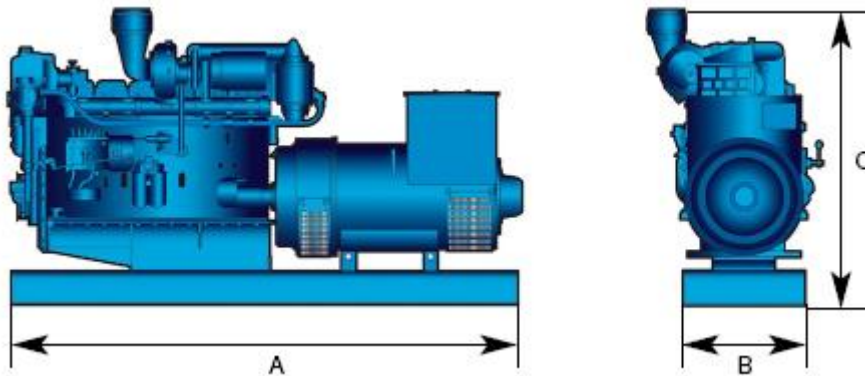
Engine Make & Model	Weichai 8170ZCD441-1 (50HZ)
Rated Speed	1000 rpm
Prime Power	441kW
Bore & Stroke	170x200mm
Displacement	36
Cylinder Number	8
Fuel System	Mechanical Pump
Governor Method	Mechanic
Aspiration	Turbocharged and Aftercooled
Starting Method	24V electric starter and battery charging alternator

Alternator Specifications

Alternator Make	CSIEM
Alternator Model	1FC2 452-6
Bearing Nos	2
Insulation Class	H
Steady-State Volt Adjustable Rate	$\leq \pm 2.5\%$
IP class	IP23
Winding Way	6
Excitation Mod	Brushless
Rated Power Factor	0.8

Dimensions

	Length	Width	Height	Weight
CCFJ400J-WX	3903 mm	1236 mm	2004 mm	6500 kg



Sales Promises

Weichai Power provides a full line of brand new and high quality products. Each and every unit is strictly factory tested.

Warranty time: 1 year

Service and parts are available from Weichai Power or distributors in your location.

Distributed By:

Manufacturer: Weichai Power Co., Ltd
Address: 197 A, Fushou East Street, High-Tech
Development Zone, Weifang, China
www.weichai.com

