

## Marine Genset- CCFJ450J-WP

### Gen-Set Specifications

<b>GenSet Model</b>	CCFJ450J-WP	
<b>Power Factor</b>	0.8-3 phase	
<b>Frequency</b>	<b>Voltage</b>	<b>Prime</b>
50Hz	400V	450kW
60Hz	440V	450kW



### Standard Features

◆ Mechanical/Electronic governor	◆ DC24V Electric starter	◆ Dual-circulate water-cooled
◆ IP23	◆ H type insulation	◆ Shutoff electronic solenoid
◆ Instrument	◆ Common high pressure pipe	◆ CCS certification
◆ Spare Parts & Tools	◆ Documents	◆ Packaging: plywood
◆ Paralleling function	◆ Alternator anti-condensation	

### Options

◇ Remote Control Panel	◇ Electric potentiometer	◇ Alternator winding temperature alarm
◇ Engine Heater (water & oil heater)		

### Engine Specifications

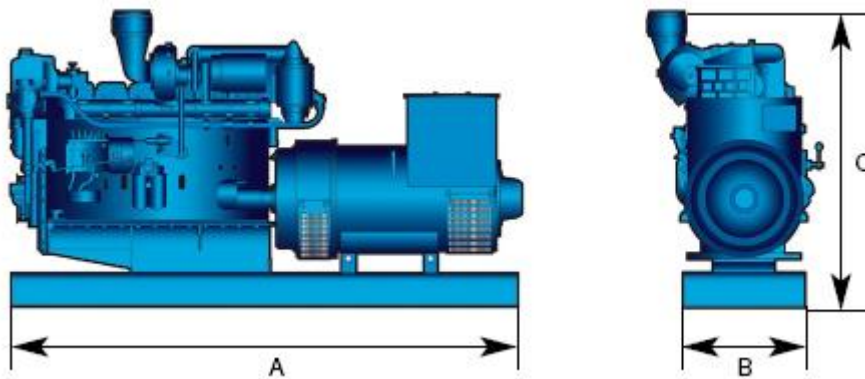
<b>Engine Make &amp; Model</b>	<b>Weichai 6M33CD550E200</b>	<b>6M33CD575201</b>
	<b>(50HZ)</b>	<b>(60HZ)</b>
<b>Rated Speed</b>	1500 rpm	1800rpm
<b>Prime Power</b>	500 kW	523
<b>Bore &amp; Stroke</b>	150x185 mm	
<b>Displacement</b>	19.6	
<b>Cylinder Number</b>	6	
<b>Fuel System</b>	Mechanical Pump	
<b>Governor Method</b>	Electric	
<b>Aspiration</b>	Turbocharged and Aftercooled	
<b>Starting Method</b>	24V electric starter and battery charging alternator	

## Alternator Specifications

Alternator Make	CSIEM	
Alternator Model	1FC2 451-4	1FC2 355-4
Bearing Nos	1	
Insulation Class	H	
Steady-State Volt Adjustable Rate	±0.5%	
IP class	IP23	
Winding Way	12	
Excitation Mod	Brushless	
Rated Power Factor	0.8	

## Dimensions

	Length	Width	Height	Weight
CCFJ450J-WP(50Hz)	3200 mm	1453mm	1613mm	5200±100kg
CCFJ450J-WP(60Hz)	3036 mm	1453 mm	1613 mm	4350±100 kg



## Sales Promises

Weichai Power provides a full line of brand new and high quality products. Each and every unit is strictly factory tested.

Warranty time: 1 year

Service and parts are available from Weichai Power or distributors in your location.

Distributed By:

Address: 197 A, Fushou East Street, High-Tech  
Development Zone, Weifang, China  
[www.weichai.com](http://www.weichai.com)

Manufacturer: Weichai Power Co., Ltd

