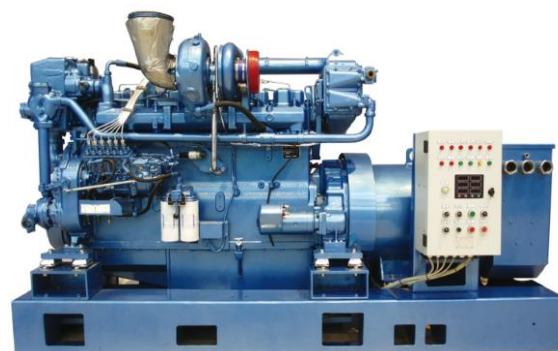


Marine Genset- CCFJ500J-WP

Gen-Set Specifications

GenSet Model	CCFJ500J-WP	
Power Factor	0.8-3 phase	
Frequency	Voltage	Prime
50Hz	400V	500kW
60Hz	440V	500kW



Standard Features

◆ Mechanical/Electronic governor	◆ DC24V Electric starter	◆ Dual-circulate water-cooled
◆ IP23	◆ H type insulation	◆ Shutoff electronic solenoid
◆ Instrument	◆ Common high pressure pipe	◆ CCS certification
◆ Spare Parts & Tools	◆ Documents	◆ Packaging: plywood
◆ Paralleling function	◆ Alternator anti-condensation	

Options

◇ Remote Control Panel	◇ Electric potentiometer	◇ Alternator winding temperature alarm
◇ Engine Heater (water & oil heater)		

Engine Specifications

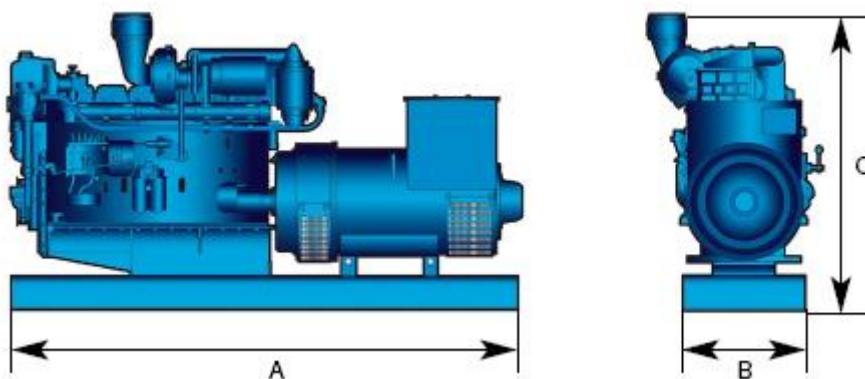
Engine Make & Model	12M33CD638E200	6M33CD607E201
	(50HZ)	(60HZ)
Rated Speed	1500 rpm	1800 rpm
Prime Power	580 kW	552kW
Bore & Stroke	150x185 mm	
Displacement	39.2	19.6
Cylinder Number	12	6
Fuel System	Mechanical Pump	
Governor Method	Electric	
Aspiration	Turbocharged and Aftercooled	
Starting Method	24V electric starter and battery charging alternator	

Alternator Specifications

Alternator Make	CSIEM	
Alternator Model	1FC2 451-4	1FC2 355-4
Bearing Nos	1	
Insulation Class	H	
Steady-State Volt Adjustable Rate	±2.5%	
IP class	IP23	
Winding Way	12	
Excitation Mod	Brushless	
Rated Power Factor	0.8	

Dimensions

	Length	Width	Height	Weight
CCFJ500J-WP(50Hz)	3680 mm	1521mm	1927mm	6950±100kg
CCFJ500J-WP(60Hz)	3036 mm	1453 mm	1613 mm	4350±100 kg



Sales Promises

Weichai Power provides a full line of brand new and high quality products. Each and every unit is strictly factory tested.

Warranty time: 1 year

Service and parts are available from Weichai Power or distributors in your location.

Distributed By:

Manufacturer: Weichai Power Co., Ltd
 Address: 197 A, Fushou East Street, High-Tech
 Development Zone, Weifang, China
www.weichai.com

