

## Marine Genset- CCFJ50J-WZ

### Gen-Set Specifications

|                     |                |              |
|---------------------|----------------|--------------|
| <b>GenSet Model</b> | CCFJ50J-WZ     |              |
| <b>Power Factor</b> | 0.8-3 phase    |              |
| <b>Frequency</b>    | <b>Voltage</b> | <b>Prime</b> |
| 50Hz                | 400V           | 50kW         |
| 60Hz                | 440V           | 50kW         |



### Standard Features

|                                       |                             |                               |
|---------------------------------------|-----------------------------|-------------------------------|
| ◆ Mechanical/Electronic governor      | ◆ DC24V Electric starter    | ◆ Dual-circulate water-cooled |
| ◆ IP23                                | ◆ H type insulation         | ◆ Shutoff electronic solenoid |
| ◆ Instrument                          | ◆ Common high pressure pipe | ◆ CCS certification           |
| ◆ Spare Parts & Tools                 | ◆ Documents                 | ◆ Packaging: plywood          |
| ◆ <b>Alternator anti-condensation</b> |                             |                               |

### Options

|                                      |                          |  |
|--------------------------------------|--------------------------|--|
| ◇ Remote Control Panel               | ◇ Electric potentiometer | ◇ Alternator winding temperature alarm |
| ◇ Engine Heater (water & oil heater) |                          |  |

### Engine Specifications

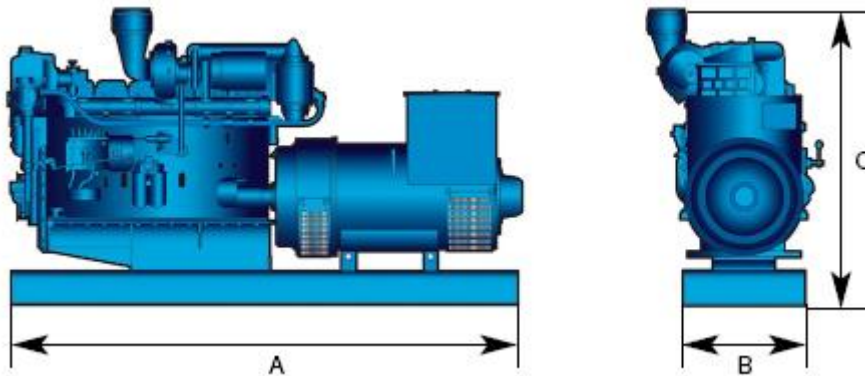
| <b>Engine Make &amp; Model</b> | <b>Weichai WP4CD66E200</b>                           | <b>WP4CD66E201</b> |
|--------------------------------|--|--------------------|
|                                | <b>(50HZ)</b>  | <b>(60HZ)</b>      |
| <b>Rated Speed</b>             | 1500 rpm   | 1800rpm            |
| <b>Prime Power</b>             | 60 kW  |                    |
| <b>Bore &amp; Stroke</b>       | 105x130 mm   |                    |
| <b>Displacement</b>            | 4.5  |                    |
| <b>Cylinder Number</b>         | 4  |                    |
| <b>Fuel System</b>             | Mechanical Pump                                      |                    |
| <b>Governor Method</b>         | Mechanic   |                    |
| <b>Aspiration</b>              | Turbocharged   |                    |
| <b>Starting Method</b>         | 24V electric starter and battery charging alternator |                    |

## Alternator Specifications

| Alternator Make                   | CSIEM      |            |
|-----------------------------------|------------|------------|
| Alternator Model                  | 1FC2 222-4 | 1FC2 221-4 |
| Bearing Nos                       | 1          |            |
| Insulation Class                  | H          |            |
| Steady-State Volt Adjustable Rate | ±2.5%      |            |
| IP class                          | IP23       |            |
| Winding Way                       | 6          |            |
| Excitation Mod                    | Brushless  |            |
| Rated Power Factor                | 0.8        |            |

## Dimensions

|            | Length  | Width | Height  | Weight |
|------------|---------|-------|---------|--------|
| CCFJ50J-WZ | 1700 mm | 904mm | 1212 mm | 974 kg |



## Sales Promises

Weichai Power provides a full line of brand new and high quality products. Each and every unit is strictly factory tested.

Warranty time: 1 year

Service and parts are available from Weichai Power or distributors in your location.

Distributed By:

Manufacturer: Weichai Power Co., Ltd  
 Address: 197 A, Fushou East Street, High-Tech  
 Development Zone, Weifang, China  
[www.weichai.com](http://www.weichai.com)

