

Marine Genset- CCFJ90J-WZ

Gen-Set Specifications

GenSet Model	CCFJ90J-WZ	
Power Factor	0.8-3 phase	
Frequency	Voltage	Prime
50Hz	400V	90kW
60Hz	440V	90kW



Standard Features

◆ Mechanical/Electronic governor	◆ DC24V Electric starter	◆ Dual-circulate water-cooled
◆ IP23	◆ H type insulation	◆ Shutoff electronic solenoid
◆ Instrument	◆ Common high pressure pipe	◆ CCS certification
◆ Spare Parts & Tools	◆ Documents	◆ Packaging: plywood
◆ Alternator anti-condensation		

Options

◇ Remote Control Panel	◇ Electric potentiometer	◇ Alternator winding temperature alarm
◇ Engine Heater (water & oil heater)		

Engine Specifications

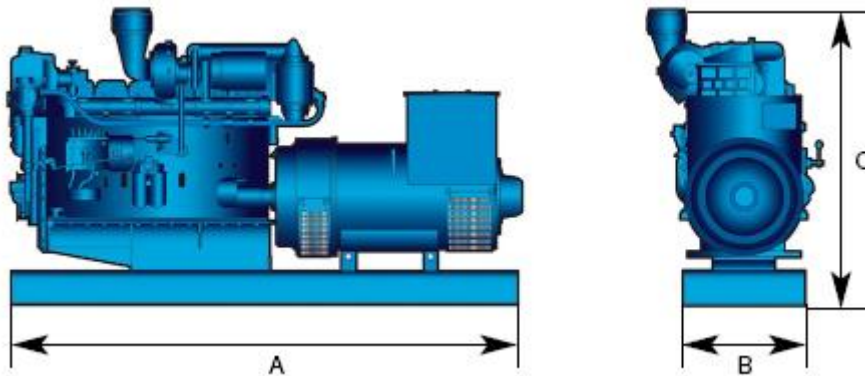
Engine Make & Model	Weichai WP6CD132E200	WP6CD132E201
	(50HZ)	(60HZ)
Rated Speed	1500 rpm	1800rpm
Prime Power	120 kW	120kW
Bore & Stroke	105x130 mm	105x130 mm
Displacement	6.75	6.75
Cylinder Number	6	6
Fuel System	Mechanical Pump	
Governor Method	Mechanic	
Aspiration	Turbocharged and Aftercooled	
Starting Method	24V electric starter and battery charging alternator	

Alternator Specifications

Alternator Make	Siemens	
Alternator Model	1FC2 281-4	1FC2 224-4
Bearing Nos	1	
Insulation Class	H	
Steady-State Volt Adjustable Rate	±2.5%	
IP class	IP23	
Winding Way	6	
Excitation Mod	Brushless	
Rated Power Factor	0.8	

Dimensions

	Length	Width	Height	Weight
CCFJ90J-WZ	2150 mm	1020 mm	1400 mm	1375 kg



Sales Promises

Weichai Power provides a full line of brand new and high quality products. Each and every unit is strictly factory tested.

Warranty time: 1 year

Service and parts are available from Weichai Power or distributors in your location.

Distributed By:

Manufacturer: Weichai Power Co., Ltd
 Address: 197 A, Fushou East Street, High-Tech
 Development Zone, Weifang, China
www.weichai.com

